

Tank Level Sensor Features

The T35 is a high-accuracy radar sensor designed specifically to remotely measure liquid levels in tanks. It is easy to install with 4 self-tapping screws and a handy mobile app. The internal level sensor is non-contact so will not corrode or need replacing and can be used with any water and non-incendiary chemicals. Maintenance is reduced with no antenna, cabled probes, or solar panel to worry about.

Internet Connected

The T35 is internet-connected which means that data received from your T35 is always accessible via your smartphone, tablet, or computer. In addition, you can set alarms for high, low, and rapidly changing levels which are available via SMS, app notification, or email.

Management of multiple tanks is a breeze and the ability to share access with users allows you to keep staff up to date.

MONITOR YOUR TANK LEVELS FROM ANYWHERE



Install it yourself using the Hilo mobile app



T35

Technical Specifications

CONNECTION OPTIONS

Bluetooth Low Energy	2.4/2.483GHz:0dB
WiFi	2.4GHz:<19dB
LTE Cat M/NB-IoT	LTE Bands 3,5,8,28:<24dB ¹

ENVIRONMENT

Water resistance	IP68 ⁴
Operational temperature	-20°C to +55°C ²
Recommended storage temperature	+15°C to +25°C

BATTERY

Life	3-10 years ³
Type	3.6v Lithium primary
Capacity	19Ah

MEASUREMENT

Technology	60GHz pulsed radar
Measurement ranges	3.5, 5 m
Accuracy	0.5% (0.2% Pro)
Resolution	1mm
Beam pattern	10° HPBW

PHYSICAL CHARACTERISTICS

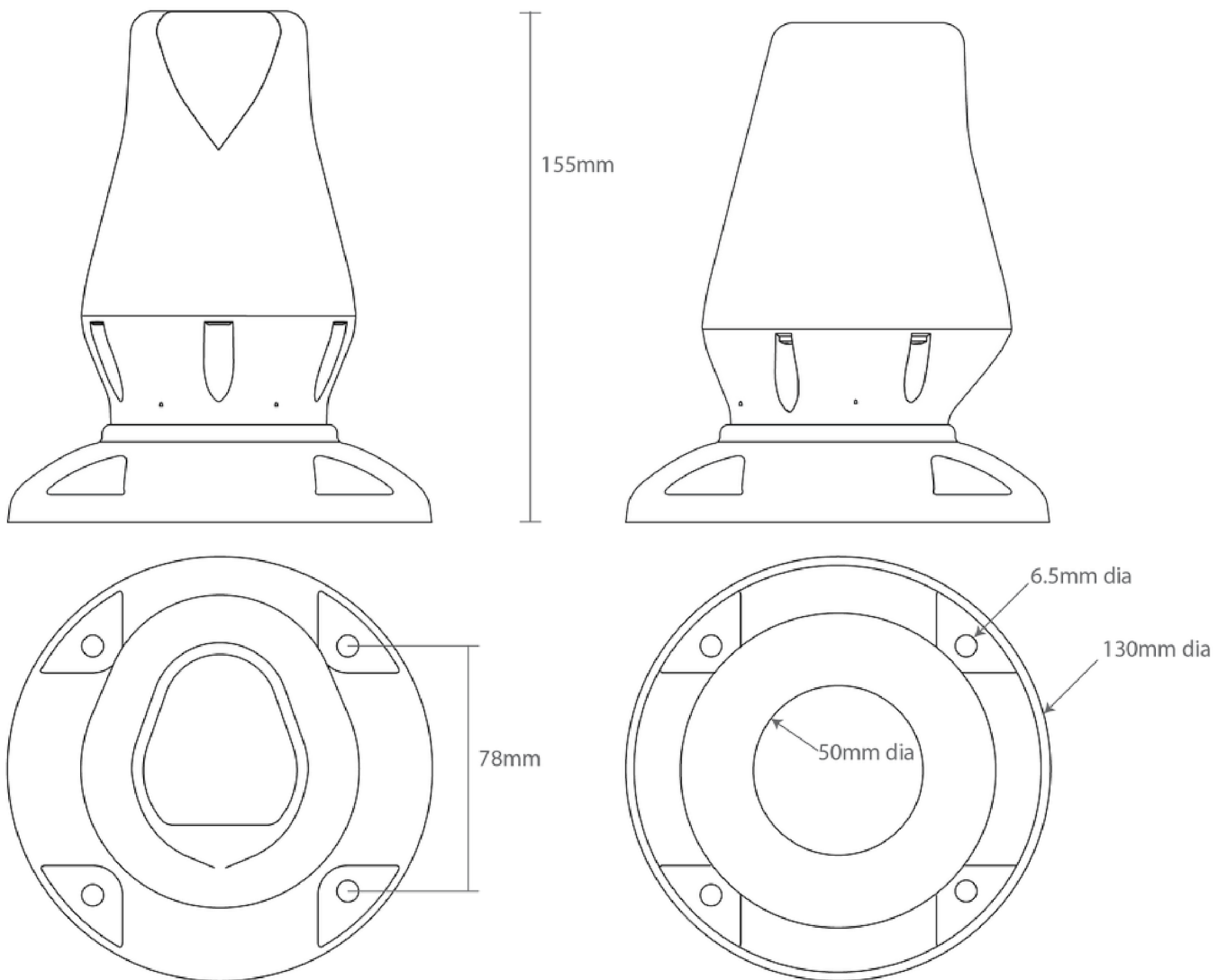
Dimensions	148x95mm
Weight	320g
Enclosure material	Polycarbonate + PBT
Mounting	2 inch BSP

<http://hilomonitoring.com>

HiLo Level Monitoring LTD,
NZ: +64 3 477 2779
AU: +61 7 53002959

info@hilomonitoring.com

T35



PART ASSEMBLY FEATURES

Horizontal T35 mount shown in images added via 2 inch BSP thread

<http://hilomonitoring.com>

HiLo Level Monitoring LTD,

NZ: +64 3 477 2779

AU: +61 7 53002959

info@hilomonitoring.com

T35

VARIANT DESCRIPTOR

T35-CEL-EXT

Mount and software model [T35]

Radio option [CEL]

External antenna option [EXT]

Professional features [PRO]

Tank monitor

Cellular LTE M1/NB1

external antenna mount (SMA)⁴

Chemical resistance + Pro features

ATTACHMENT VARIANTS

T35-CEL

T35-CEL-PRO

T35-WIFI

Tank monitor cellular 3.5 m

Tank monitor cellular 5 m

Tank monitor WiFi 3.5 m

<http://hilomonitoring.com>

HiLo Level Monitoring LTD,

NZ: +64 3 477 2779

AU: +61 7 53002959

info@hilomonitoring.com

T35

DATASHEET HISTORY

	DATE
Initial release	10/04/23
Add Pro model	29/08/23
Change maximum operating temperature	21/02/24

PART HISTORY

	VARIANT/DATE
Hilo brand release	10/04/23
T35-PRO model release	29/08/23

FOOTNOTES

- 1: NB-IoT restricted to band 28 in APAC countries where available.
- 2: Battery life varies based on the coverage signal strength and user-programmed device settings.
- 3: Temperatures outside of this range will reduce battery life and system performance and may damage the product.
- 4: External antenna option rated as IP68 and available with cellular connectivity variants only.

<http://hilomonitoring.com>

HiLo Level Monitoring LTD,

NZ: +64 3 477 2779

AU: +61 7 53002959

info@hilomonitoring.com